

Pierce, Josie N. d/o I. N. & M. E. Pierce	3-25-1878	2-17-1879
Pierce, Malindia E.	5-20-1878	1-12-1882
Pipes, C. D. s/o D. T. & M.	2-20-1878	8-23-1880
Pirtle, John R.	1865	1943
Pirtle, Mattie S. Harmon w/o John R. Pirtle	1869	1932
Pirtle, Onie	1897	1915
Polk, infant s/o Jeff and Emmie Pipes Polk	10-20-1913	10-20-1913
Powell, Cassie Ann ossw Tom & Tommy Powell	1888	1970
Powell, Tom ossw Cassie & Tommy Powell		
Powell, Tommy Jr. s/o Tom & Cassie Powell	5-1-1928	5-2-1934
Raney, Martha w/o W. F. Raney	9-7-1852	
Raney, W. F. h/o Martha	1-20-1848	5-27-1918
Rinehart, Ann d/o T. G. & S.	1-2-1865	1-4-1865
Rinehart, Charles s/o T. G. & S.	12-12-1850	3-24-1852
Rinehart, James F. (h/o Julia)	6-18-1824	1896
Rinehart, James M. s/o James W. & Pauline	8-21-1854	1-25-1896
Rinehart, James W. h/o Paulina	12-1-1816	6-29-1886
Rinehart, Julia A. Hardin w/o J. F.	3-30-1841	12-24-1896
Rinehart, Dr. M.	1849	1925
Rinehart, Mary F. d/o John and Paulina Rinehart	6-2-1844	5-18-1912
Rinehart, Molly L. d/o T. G. & S.	6-20-1862	4-29-1865
Rinehart, Paulina w/o James W.	8-3-1819	12-29-1895
Rinehart, Sarah	3-2-1829	9-14-1904
Rinehart, Thomas G.	1-12-1823	3-21-1893
Sandusky, Albert	3-16-1842	4-24-1914
Sandusky, John		1814

Grimes, L.	12-10-1843	
Grimes, Lucy Ellen w/o L. Grimes	9-29-1857	5-1-1901
Grimes, Nancy J. w/o L. Grimes	12-9-1842	1-12-1893
Gupton, James B.	1915	1943
Gupton, Lucetta Y.	1893	1954
Gupton, William B.	1881	1935
Hardin, Rachel w/o Benoni Hardin	95 years	5-19-1885
Harding, Patsy d/o Dee and Mary Warner	1864	1-30-1913
Hays, Carl s/o George and Febe Hays	3-13-1914	3-13-1914
Hill, Carly s/o Charles and Josie Mays Hill	2-2-1911	8-7-1911
Hill, Shirley, d/o Charlie and Josie Mays Hill	2-2-1911	10-13-1911
Kittle, Sam E.	1876	1917
Land, George E.	1-4-1850	3-21-1925
Land, Mary E. w/o George E. L&	2-22-1857	3-11-1901
Lanham, (?) s/o P. G. & A. M. Lanham (member of Co. D. 10th Ky Inf. USA)	12-25-1810	? 25-1869
Lanham, J. Thomas (h/o Susan)	3-20-1801	2-14-1879
Lankford, Elizabeth d/o Lee and Alice Land Lankford	1-26-1913	4-16-1913
Leachman, Louisa A. d/o Wm C. & L. A. Leachman	6-16-1857	4-22-1887
footstone SAL		
Logan, James	4-10-1813	9-15-1874
Logan, John W. s/o James & Sarah Logan	12-21-1835 or 1825	5-19-1836
Logan, Nancy	11-10-1824	
Logan, Sarah A.	9-28-1816	6-1-1836
Logan, Thomas B. s/o James & Nancy Logan	1849	1951
Lynch, Andrew s/o Irvine M. and (?) Sweeney Lynch	3-6-1913	1-20-1914

Blanch, Bessie Logan w/o &rew Blanch	1857		1920
Blanch, Margaret Watts	1894		1936
Blanch, Irvine N.	1881 or 84		1937
Blanch, Zelma S.	1880		19-- not cut
Brand, James H.	1843		1902
Brand, Kittie or Katie Link w/o James	2-3-1798		9-29-1888
Brand, Nannie Clark w/o James H. Brand	1861		1904 or 07
Brand, Pirdie d/o J. H. & N. Brand	10-28-1884		?-15-1884
Brown, Lizzie L. d/o James & K.	4-6-1833		10-28-1887
Browne, John Hugh s/o Steven and Mary Davidson Browne	12-25-1835		9-3-1913
Canary, Abraham	1-22-1794		9-15-1882
Canary, Catherine D.	6-6-1830		5-3-193?
Canary, Mary A. w/o Wm. H.	2-14-1823		6-29-1869
Canary, W. H.	5-26-1822		9-9-1901
Cregor, Sarah A. w/o Thomas	2-5-1811		1-25-1892
Cregor, Susan	4-6-1834		4-28-1893
Cregor, Thomas	10-9-1804		3-29-1887
Clark, J. C, s/o J. W. Clark	6-15-1865		10-18-1882
Clark, J. W.	6-23-1820		5-31-1895
Clark, Zelda w/o J. W. Clark d/o John and Fanny Johnston Ferguson Clark	2-2-1839		8-19-1914
Cox, Sallie d/o Paul Simpson w/o John Cox	22 years		5-24-1913
Daugherty, Harriet w/o J. F.	aged 20 (1832?)		7-27-1852
Drane, Catherine d/o T. & M. Drane	3-11-1831		
Drane, Mary w/o Thomas Drane			1-18-1864
Drane, Permelia A. 2nd w/o T. Drane	7-15-1809		6-20-1887

Graves-Lee

Announcement was made a few days ago of the marriage of Miss Elizabeth Graves of this city and J. B. Lee of Louisville which took place Saturday, July 5, in Scottsburg, Ind. The ceremony was performed at the home of the officiating minister, Rev. Ira M. Williams, pastor of the Christian church. The attendants were Mr. and Mrs. Ira M. Atkinson of Louisville.

News of the wedding which was kept a secret for a week came as a surprise to their friends. Mr. and Mrs. Lee have been spending the past week here with her parents.

The bride, who is an attractive young woman, is the only daughter of Mr. and Mrs. Will G. Graves. She possesses many lovable traits that have endeared her to a host of warm friends. She graduated from the Lebanon High School the past June with the highest honors, being valedictorian of a large class.

The groom has been making his home in Louisville for some time where he has a position as traveling representative of the Remington-Rand Business Service. He is a son of Mr. and Mrs. Abell Lee of Raywick.

GRAVES

Sister M. Dionysia Graves, SSF (nee Mary Elizabeth Graves) on April 20, 1996, at the Motherhouse of the Sisters of the Holy Family. Daughter of the late Charles Horace Graves of Lebanon, Kentucky. She is survived by her Mother, Mrs. Mary Frances Calhoun Graves and the following sisters and brothers: Mrs. Dorothy Thompson and Mrs. Margaret Ann Spaulding of Louisville, Kentucky, Mrs. Regina Taylor of Chicago, Illinois, Mrs. Juliet Kirtley of Campbellsville, Kentucky, Charles E. Graves of Sewell, New Jersey, Thomas and David Graves of Louisville, Kentucky, John Graves of California, many nieces and nephews. Sister M. Dionysia Graves entered the Congregation on September 7, 1948, professed temporary vows on June 14, 1951 and perpetual vows on June 14, 1956. She served in the Congregation for about 48 years, teaching at All Saints, Algiers, LA., St. Francis of Assisi, Breaux Bridge, LA., Holy Spirit and St. Joseph, Marshall, TX, Holy Ghost and Opelousas Catholic, LA. Family members and friends are invited to attend the Wake Service on April 24, 1996 at 3:00 p.m. and a Memorial Mass on the same evening at 7:00 p.m. The Mass of Christian Burial will be celebrated on Thursday, April 25, 1996 at 9:00 a.m. All liturgies will take place in the Chapel of the Sisters of the Holy Family, 6901 Chef Menteur Hwy. Interment at St. Louis Cemetery No. 2. Arrangement by LOUISIANA UNDERTAKING CO., INC. 1449 N. Claiborne. Mr. Bobbie Francois, Director.

ust some of the
 applies you will
 d at Peterson-
 o.
 by and pick up
 want or call 74
 we'll deliver it.
 t just a few of
 or thousands of
 n-Battcher Co.
 t source of all
 plies.
 arge quantities
 erchandise and
 riving daily—
 odels, designs,
 s—so whatever
 n building sup-
 hardware . . .
 tures . . . paint
 ind the newest
 our store!

**CEILING
 TILE**

**RAGE
 DOORS**

**THER
 RIP**

**MING
 IBER**



SON INJURED Mrs. Jack Higgins (left) tries to hold in her anguish as she watches her husband (checkered shirt) and an ambulance attendant pick up her 4-year-old son John in Santa Rosa, Calif. The boy fell out of the family car, was taken to a hospital with head injuries.

JANUARY 23, 1959

Marion Native Dies In Louisville At 43

Alfred Purdy Wilcher, 43-year-old native of Marion County, died of tuberculosis at 8:25 a.m. last Friday at SS. Mary and Elizabeth Hospital, Louisville, where he was admitted the previous day.

A son of Mrs. Lula M. Dever Wilcher, Lebanon, and the late George L. Wilcher, he had made his home in Louisville for several years. Surviving, besides his mother, are two daughters, Mrs. John Beaven and Miss Beverly Ann Wilcher, and a son, Alfred P. Wilcher, Jr., all of Louisville; three sisters, Mrs. Marie Francis and Mrs. Forest Buntain, Louisville, and Mrs. Robert Marable, Akron, and four brothers, Elbert Wilcher, Cincinnati; Carl, Lee and Stanley Wilcher, all of Lebanon.

Funeral services were conducted at 2 p.m. Monday at Bosley Funeral Home by the Rev. John L. Coyle, pastor of Lebanon Christian Church. Burial was in Ryder Cemetery. Pallbearers were Charles Webb, John N. Coyle, Jr., Eddie Deep, James Ryan, Louis Jarboe and Forest Buntain.

Former Lebanonian Dies In Indianapolis

Stephen Albert Noe, 62-year-old Lebanon native who for the past 30 years has been in the plumbing business in Mishawaka, Ind., died at 6 p.m. Wednesday at Robert Long Hospital in Indianapolis, where he was admitted December 26. Death was attributed to can-

Lebanon Man, 48, Dies In Louisville

Charles Horace Graves, 48, a former employee of Lebanon Manufacturing Company, died Tuesday at General Hospital, Louisville, after a brief illness. He was admitted to the hospital Sunday.

A son of the late Horace and Lizzie Rountree Graves, he was a native of Marion County and had lived here most of his life.

Surviving are his wife, Mrs. Mary Frances Graves; six daughters, Sister Dionysia, New Orleans; Mrs. Iona Jane Forrest, Cleveland; Miss Dorothy Bell Graves, Louisville; Mrs. Frances Regina Taylor, now in Germany; Mrs. Julia Catherine Kirtley, Campbellsville, and Miss Margaret Ann Graves, Lebanon; five sons, Charles Edward, Joseph Oliver, Thomas Anthony, David Louis and John Hubert Graves, all of Lebanon; two brothers, Joseph Graves, Louisville, and Roscoe Graves, and a sister, Miss Catherine Graves, St. Louis.

The body is at Bosley Funeral Home. Funeral services will be conducted at 9 a.m. today at St. Monica's Church by Msgr. Joseph D. Gettelfinger. Burial will be in St. Augustine Cemetery. Pallbearers will be Ed and Sylvester Calhoun, John Smith, Jr., Lawrence Spalding, Dee and Phil Porter.

Retired Blacksmith, J. S. Mattingly, Dies

John Samuel Mattingly, 73, retired Lebanon blacksmith, died at noon Saturday at his home

Tavern Employee Dies Here At 70

William Irvine Ewing, 70, for several years an employee at Three Pines Inn on the Bradfordsville Highway, died at 2 a.m. Sunday at Mary Immaculate Hospital after six weeks' illness of a heart ailment. He had been hospitalized three weeks.

A native of Casey County, he was a son of the late Zurie and Murdy Ewing.

He is survived by his wife, Mrs. Della Gilpin Ewing; three daughters, Mrs. Earl Vogel, Rankin, Ill.; Mrs. Harvey Wethington, Clementsville, and Mrs. Louise Cook, Amarillo, Texas; two sons, William Ewing, Louisville, and Bernard F. Ewing, Lebanon; a brother, Alf Ewing, Clementsville, and 12 grandchildren.

The body was at Bosley Funeral Home. Funeral services were conducted at 9 a.m. Wednesday at St. Bernard Church, Clementsville, by the pastor, Rev. Thomas E. Buren. Burial was in the church cemetery. Pallbearers were Harry Wathen, Osur Mings, James and Marshall Wethington, Leland Goode and Joe Clements.

Retired Educator, R. M. McElroy, Dies

Dr. Robert McNutt McElroy, 86-year-old retired educator, died last Thursday on Kauai Island, Hawaii, where in recent years he had made his home with a daughter, the Rev. Katherine-M. Kent.

George A. Craig, Mrs. John Martin, St. Joseph, and Mrs. Charles Wright, Louisville, and eight grandchildren.

The body was at Pruitt-Hickey Funeral Home until 9 a.m. Monday when funeral services were conducted at St. Joseph Church by the Rev. Louis Mattus. Burial was in Holy Name of Mary Cemetery, Calvary. Pallbearers were Alonzo, Bernard, Smith and Harold Craig, Ray and Willard Buckman.

Here for the funeral were Mr. and Mrs. Bertrand Ray and son; Mrs. Dempsey; Vienna Bickett, Princeton, Ill.; Mr. and Mrs. Clifford Buckman, Mr. and Mrs. Smith Craig, Mr. and Mrs. Ivo Mills, Mr. and Mrs. Amiel Rawlings, Mr. and Mrs. Carl Blandford, James Buckman and Mr. and Mrs. Denis Hager, all of Louisville.

Mrs. Lula Brady, 97, Dies At Home Here

Mrs. Lula Sullivan Brady, 97, widow of James C. Brady, died at 2 a.m. Wednesday at her home on the Fairground Road.

She was a native of Russell County, a daughter of Asia and Lucinda Dutton Sullivan. Her husband died in 1947.

Her 141 surviving descendants include four sons, William, Charles, George and Tom Brady, all of Marion County; four daughters, Mrs. Rosa Crews and Mrs. Edgar Miller, Dayton, Ohio; Mrs. Nannie Bradshaw and Mrs. R. A. Mulligan, both of Springfield; 51 grandchildren, 61 great-grandchildren and 21 great-great-grandchildren.

The body is at Drye Funeral Home where funeral services will be conducted at 2 p.m. today by the Rev. A. B. Morgan, pastor of Woodlawn Baptist Church. Interment will be in Ryder Cemetery with six grandsons serving as pallbearers.

Hawaii Has Its Own Anthem

Hawaii, though a territory of the United States, has its own national anthem, a stately melody entitled "Hawaii Pono" (My Own Hawaii). It was com-

pleted basic training at Fort Hood, Texas, and was assigned to Germany in December, 1957.

Takes Jungle Training

Specialist Fifth Class James H. Moulder, son-in-law of Mr. and Mrs. Frank Orberson, Gravel Switch, has been assigned to three weeks' training at the Army's jungle warfare training center, Fort Sherman, Panama Canal Zone. Regularly assigned to duty at Fort Kabbe, he has been stationed in the Canal Zone since December, 1956.

With 8th Division

Acting Sgt. Bobby A. Deering, son of Mr. and Mrs. Owen Deering, Lebanon, recently took part in air transport exercises conducted by units of the Eighth Infantry Division in Germany. Deering entered the Army in June, 1957, completed basic training at Fort Riley, Kan., and arrived in Germany in January, 1958.

Begins Reserve Duty

Ray Spalding Smith, son of Mr. and Mrs. Arthur Smith, Jr., Route 1, Lebanon, left January 11 for Fort Knox to begin six months' active duty, under the Army Reserve Forces program.

Dayton Chiropractor Dies In Florida At 60

Dr. Louis J. Sperling, 60, retired Dayton, Ohio, chiropractor and business man, died unexpectedly at 5:30 p.m. last Tuesday at his winter home in Tampa, Fla. He frequently had visited here with his wife, Mrs. Esther Unselde Sperling, daughter of the late Mrs. Lillie Ware Unselde, who died December 31.

Surviving, besides his wife, are his mother and two sisters. Funeral services were held at 2 p.m. Saturday at Morris Funeral Home, Dayton. Burial was in Memorial Park there. Among those attending the last rites were Henry Unselde, Lebanon; Mr. and Mrs. James Unselde and daughters, Gravel Switch, and Jim Unselde, Louis-

FAMILY TREE #2

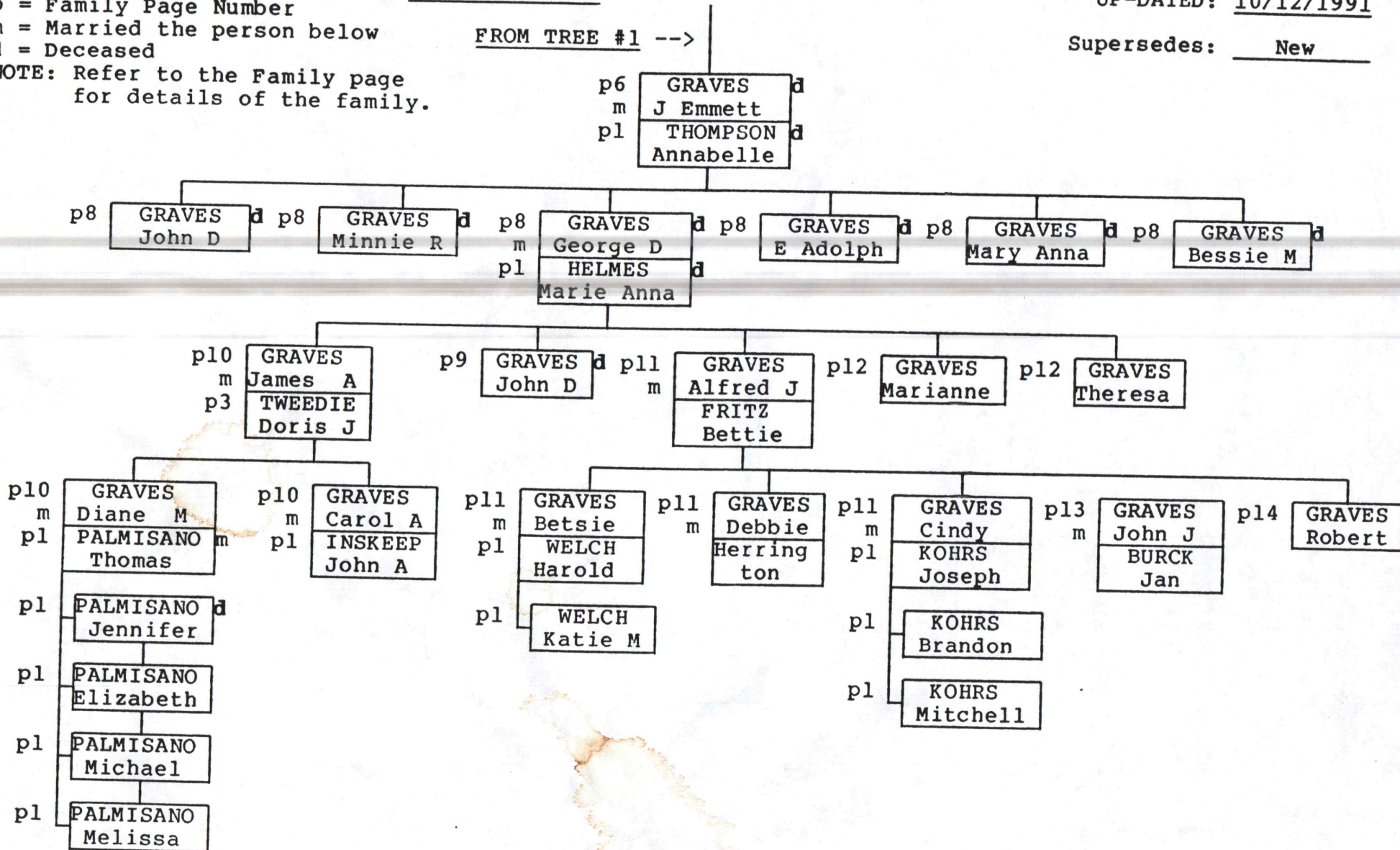
UP-DATED: 10/12/1991

p = Family Page Number
 m = Married the person below
 d = Deceased

FROM TREE #1 -->

Supersedes: New

NOTE: Refer to the Family page
 for details of the family.



FAMILY TREE #1

UP-DATED: 12/02/91

p = Family Page Number

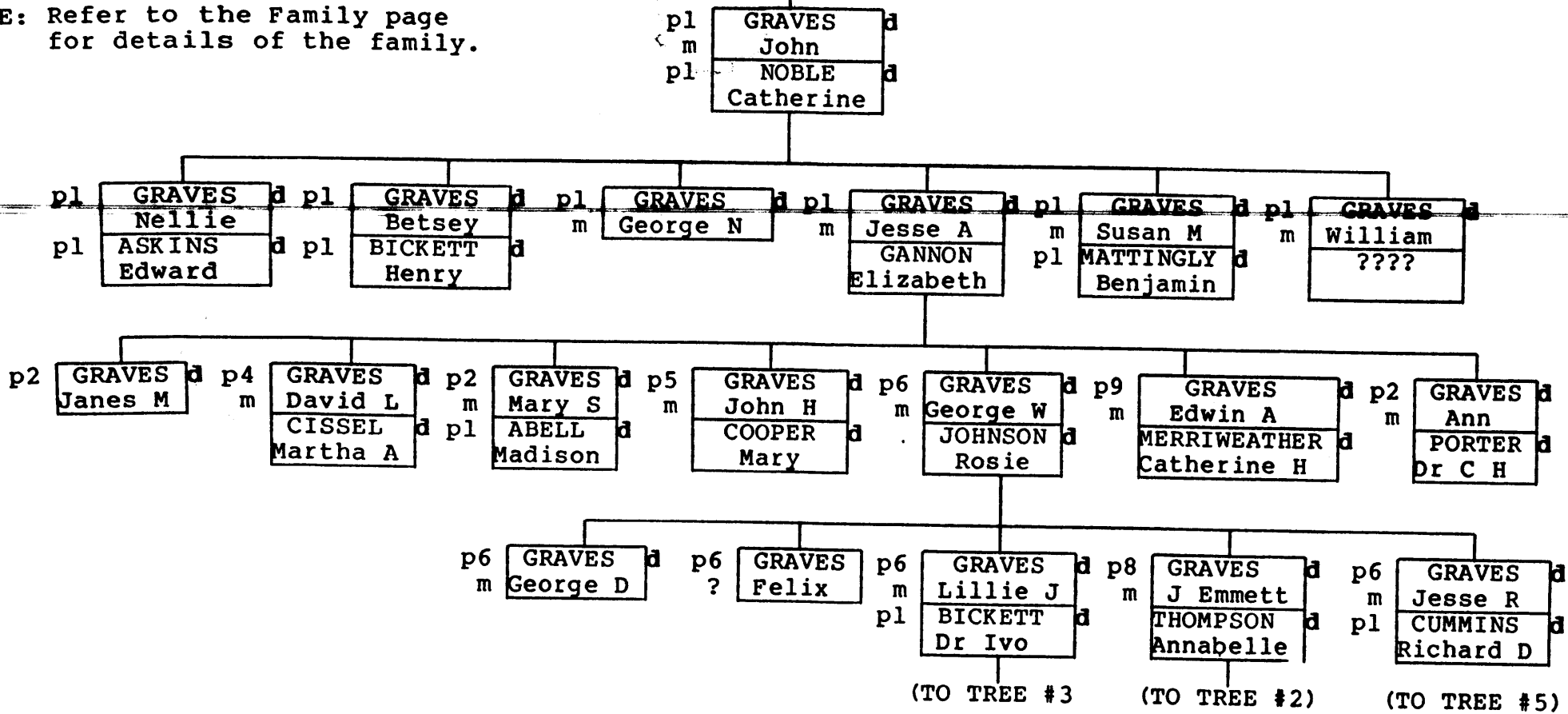
m = Married the person below

d = Deceased

NOTE: Refer to the Family page
for details of the family.

ORIGINAL TREE ---

Supersedes: New



John & Susan Noble Arnes native of
Maryland immigrated to Nelson in 1790

Wm Arnes - Sarah Fisher Meckville Area
d. @ 1833

John Arnes - Methodist Burjia Howard
m. Susanna Mattingly & John
Mattingly & Polly Fenwick
of Maryland
move Ky @ 1785

Jussow Mary Graves ^{B2} 1794 ^{M.} 1-28-1815
 210 John Wm & Sarah Catherine Noble Graves
 H: Benj. Mattingly 12-25-1792 - 4-9-1854
 510 John Sr & Kelly Jewell Mattingly
 C: Elizabeth A. 1818 - Elder
 Edward H. 1820
 John Graves 1823
 Benj. T. 1828 Kate Willitt
 George 1832
 Martina 1834 Raley
 Sarah Ann 1836 Russell
 Alice 1838 O'Connell
 Elijah 1840

Killian M. Yiatt
 2375 S. San Miguel Drive
 Grand Junction Co 81503

Lee E. Seaton
 4310 N. 2nd Rd Apt 4
 Arlington Va 22203

Verdah Irwin
 Rt 1 Box 509
 Salem Or 97304

Mrs C.C. Redding
 1737 Wragston Court
 Houston Tex 77005

Charles W. White
 Box 89
 Loami Ill 62661

Capt Thomas Krone - 1580 - 1583 Katherine

Thomas Krone

Thomas Krone - Mary

John Krone - Mary @ 1670

John Krone @ 1695 - 1765 - Francis Coleman

Thomas Krone - Elizabeth Ann

Wm Thomas Krone 1755 - 1833 Nancy Owsley

Wm Noah Krone - Elizabeth Peters

Francis Marion Krone Margaret A. P. Kerel

W.W. Watten 9-19-1894 - 2-10-1832

~~Dysentery fever~~

m. Ann T. Graves

C. Mrs. Will R. Spalding

Col. John B. Watten

Mrs. J. R. Spalding died

Will Albert Watten 2 yrs. 8 mo

Wm Graves @ 1780 ^b - 10-1-1808 ^m - 12-24-1850 ^d
Buried at St. Mary Cemetery - formerly
Ben Thompson place native of Md.
W - Nancy Buckler @ 1790 - 1-4-1860
d/o Richard Buckler
C: George Graves B-1812
Thomas Graves B-1815
Ann Graves ^B 1815 ^m Wm Walker

John Wm Graves 1760 - 1785 native of Md
W - Sarah "Susan" Catherine Noble
C: Wm Graves - Nancy Buckler
Jessamine A Graves 2-28-1794 - 1-30-1866
m - Elizabeth Cannon
Mary Susan Graves
m - Benj Mattingly
George W. C. Graves 3-11-1808 - 5-11-1894
m - Sidney Jane Daugherty
? Ellen Graves
m - Edward Perkins

Wm J. Brown
Uriah Noah Brown

Edward A Brown 11-3-1818¹⁶ - 17-16-1889

d/o "Jessie" Elizabeth Hannon Brown
Wife - Catherine H. Mereweather

3-2-1824 - 3-23-1895

C. Wm J. Brown 4-15-1852

George E. Brown 2-14-1855

Charles P. Brown 1-25-1857

John H. Brown 2-6-1863

Jessamine A "Jessie" Brown 2-28-1794 - 1-30-1866

d/o John Wm + Sarah Catherine Noble Brown
W. Elizabeth Hannon (Cannon?) m 11-8-1817

d/o James Cannon

C. Edward A Brown 11-3-1818

James 1821

Nancy 1824

David L 1826

Mary 1828

Ann J. 1830

? John Hamilton Brown 1831

? George M. 1832

BK 1-97

George N. Brown Sr + Catherine Medley

m ~~bet 1810-1830~~ m 2-7-1810

d @ 1848-1850

Wm Brown @ 1770 - @ 1820-30

Book E - 251 - 263

Walter 1919⁹⁹

Mrs Erwin
Salem Origo

Deed bk

p. 513

Uriah Brown m. 2x

m. 1-23-1815 Book 1 page 139

Martha W. Daniel } wives of Uriah?
Elizabeth Peter }

James Brown m. 2-5-1814 Book 1 - 129

Jesse M. Brown doB @ 1824 grand father
of Mrs Walter Erwin (Virdah)

Book H Johnson

G John

H. Matthead

Elizabeth Brown m. Henry Beckett 1-5-1810
John Wm Brown Perrin Vol V p 200

Elizabeth Graves 1792

d/o John Wm & Sarah Catherine Noble Graves

H - Henry "Harry" Bickett 1789 - 1-5-1810

s/o Wm Bickett

C: Wm Bickett 1815

Henry Thomas 1816

Edmond Graves 1817

Mary (Polly) 1820

Harris

James Cyrilbus 1827

Mary Ann (Nancy) 1828

Priscilla 1831

2-28-94

Marion County Library
201 E. Main
Lebanon, Ky. 40033

Dear Librarian,

I am looking for information and a burial record on the following person:

John Graves who lived in Marion County and, I was told, he was buried in Thomas Methodist Chapel graveyard. If any other members of the Graves family are buried there, please also send me their record.

I am also looking for a burial record of Eleanor (Graves) Askins who was married to Edward Askins. Do you have any records of the Askins family? If so, please make a copy for me.

Any information you may have on the Graves and Askins family would be greatly appreciated. Enclosed is a check for \$5.00 for your time and zoning, if needed. Thanks very much.

Sincerely,
Louise

Mrs. Louise E. Reithel
[REDACTED]
[REDACTED]

7-20-94

Marion County Public Library
201 E. Main
Lebanon, Ky. 40033

Dear Librarian,

I am writing to inquire if you have Marion County Cemetery Records at your library. I am looking for the burial record of the person listed below. He lived in Marion County.

John Graues. He died in the 1800's. I was told he is buried at the Thomas Methodist Chapel graveyard. ^{We checked this, and his name was not found in this cemetery. However, some stones were missing.}

If someone at the library does this research, I will pay them for their time. If not, can you send me the name of someone who does genealogy research. Enclosed is an addressed and stamped envelope for your use. Thank you.

Yours Truly,
Mrs Louise Reithel

~~_____~~
~~_____~~

10-13-94

Mary E. Glascock

~~185 Miller Pike~~

~~Lebanon, Ky. 48000~~
~~40033~~

Dear Mary Ella,

Thank you for your letter of Oct 3, 1994. Also glad the library passed my name on to you. Most of my research of the Graves family has centered in Washington Co. Ky. records, but have not been able to find cemetery records. I was told by a distant relative that JOHN GRAVES was buried at the cemetery next to Thomas Methodist Chapel, but do not know if that is accurate. Even so, there may not have been a grave stone.

My connection is through Eleanor Graves who married Edward Askins (gn.) on Aug. 1, 1803 in Washington County, Ky. They were my gn-gn grandparents. Eleanor's brothers were George N. Graves and William Graves, and their father was supposed to be John Graves who came from Virginia. However, I cannot confirm this. It is mainly family tradition.

I did find some info on a William Graves who came from Va. about ~~1700~~ 1790 and settled near Mackville, Ky. in Washington Co. I suppose there is a possibility that Eleanor (Graves) Askins could be his daughter.

at any rate, if you, or anyone, in your area has connections to the GRAVES/ASKINS families, I would appreciate any info. And will pay them for their time for researching, and other costs. Am enclosing a SASE for your use.

Yours Truly,
Louise

P.S. Do you have the name of a library in Springfield, Ky? If so, let me know. Many thanks.

Mrs. Louise E. Reithel
[REDACTED]
[REDACTED]

Revised Correspondence in 1990
to Gerald Thompson

Askins

Yvonne S Warner
[REDACTED]
[REDACTED]

John A. Askren
[REDACTED]
[REDACTED]

Debbie Puker
[REDACTED]
[REDACTED]

Co. on Hardins Creek containing 245 acres.
Wit: None

George Shuck, Eva x
Shuck, 1 signature unreadable
Philip Shuck, Daniel Wenner,
Rosanna x Wenner

C-448 - 10 Apr 1810 - Agreement - Whereas **Thomas Dean** and **Peter Stayton** has a patent for 1000 acres in Wash. Co. on Rolling Fork between Indian and Clay Licks and Hunters Trace entry made in name of **John May** ---Stayton relinquishes to said Dean all his rights to that part of said survey that is included in a 500 acres survey of **Robert Caldwell**, also his rights to a 500 acre survey in name of David _____.
Thomas Dean, Peter Stayton

C-449 - 10 Apr 1810 - Indenture between **Thomas Dean** of first part and **John Grundy** and **Philip Washburn** other part all Wash. Co. for \$400 - land in Wash. Co. containing 500 acres that is to say all that part 500 acres survey entered in the name of **John May** and patented in the name of said **Dean & Stayton**
Wit: None
Thomas Dean

C-449 - 5 Apr 1810 - Bill of Sale - Know that I, **Edward Askins Jr.** of Wash. Co. KY for 153 pounds have sold to **George N. Graves** and **John Graves** and **Edward Askins Sr.** a tract of land on which myself and my father now live, also my two stills including all equipment, livestock, household goods, tools, etc. to lift the bond this day I have given to **David Phillips** in which bond the said **Graves and Askins Sr.** are securities.
Wit: **John Lancaster, Benjamin Phillips, Edmond Phillips**
Edward Askins Jr.

C450 - 17 Apr 1810 - Indenture between **Christopher Shuck** and wife, **Catherine** and **Martin Everhart**, all Wash. Co. for \$700 - land in Wash. Co. on Hardins Creek containing 160 acres.
Wit: None
Catherine Shuck, Christopher Shuck

C-451 - 31 Mar 1810 - Indenture between **Francis Mudd** and wife, **Mildred** and **Abraham Rouner**, all Wash. Co. for \$225 - land in Wash. Co. on Cartwrights Creek containing 120 acres bounded by **Mildred Hayden. Francis Mudd**
Wit: **Samuel Williams, Peter Casey**
Samuel Seay
Mildred Mudd

C-451 - 7 Apr 1810 - Agreement - Know that I, **Benjamin Gibbs** of Wash. Co. for \$272 paid by **Elias Davison** several species of property - livestock, household goods, etc.
Wit: **Martin Everhart, William P. Gibbs**
George Ewing
Benjamin Gibbs

C-452 - 14 May 1810 - Indenture between **Matthew Walton** and **Frances** his wife and **Christopher Barlow**, all Wash. Co. for \$170 - land in Wash. Co. on Askins Fork a branch of Cartwrights Creek containing 174 acres.
Wit: **John Sibert, John Cosby, Basil Montgomery**
Matthew Walton
Francis Walton

C-452 - 21 Mar 1810 - Indenture between **Anthony Hundley** and **John Cotner**, both Wash. Co. for 30 pounds - land in Wash. Co. on Glens Creek containing 100 acres.
Wit: **William x Booth, Jesse x Yearns, Sherwood W. Hundley**
Anthony Hundley

C-391 - 23 Mar 1809 - Indenture between **George McKay** and wife, **Jenny** and **Samuel Williams**, all Wash. Co. for \$1000 - land in Wash. Co. on Cartwrights Creek containing 100 acres bounded by Road Run.

Wit: None

George McKay
Jane McKay

C392 - 26 Sep 1808 - Indenture between **Barnabas McHenry** and wife, **Sarah** of Wash. Co. and **Mark Hardin** of Frankfort, Franklin Co., KY for \$87 - land on Pleasant Run containing 12-1/2 acres adjoining **Jane Irvin**.

Wit: None

Barnabas McHenry
Sarah McHenry

C-392 - 3 Jun 1809 - Indenture between **Absalom Ray** and wife, **Susannah** of Wash. Co. and **Austin Hubbard**, Nelson Co., KY, for 5 shillings said Ray conveys to Hubbard - land in Wash. Co. on Rolling Fork of Salt River containing 19 acres.

Wit: None

Absalom Ray
Susan Ray

C-393 - 3 Jun 1809 - Indenture between **Austin Hubbard**, Nelson Co., KY and **Absalom Ray**, Wash. Co. for 103 pounds - 95 acres in Wash. Co. on Cherry Run, north branch of Rolling Fork

Wit: **Benjamin Ray**, **Joshua Ray**,
John Ray

Austin Hubbard

C-394 - 6 Mar 1809 - Indenture between **Benjamin Janes** and **John Janes Jr.** both Wash. Co. for 53 pounds - land in Wash. Co. on Beech Fork adjoining **Randolf Slack** and **John Janes Sr.** containing 43 acres.

Wit: None

Benjamin Janes

C-394 - 17 Jun 1809 - Indenture between **Charles Brown** and **Francis Brown** of Nelson Co. of first part and **John Graves** of Wash. Co. other part for \$400 - land in Wash. Co. on Hardins Creek containing 200 acres.

Wit: None

Charles Brown
Francis Brown

C-395 - 12 Jun 1809 - Indenture between **Francis Buckman** and wife,, **Elizabeth** and **John Hayden**, all Wash. Co. for \$100 - 50 acres in Wash. Co. on both sides of Cloyds Creek.

Wit: None

Francis Buckman
Elizabeth x Buckman

C-395 - 12 Jun 1809 - Indenture between **John Shepherd** and wife, **Elizabeth**, and **Charles Hayden**, all Wash. Co. for 120 pounds - 105 acres in Wash. Co. on Pottingers Creek adjoining **John Robertson**, **Isaac Harrison**.

Wit: None

John Shepherd
Elizabeth x Shepherd

C-396 - 18 Jan 1804 - Indenture between **John Davidson**, Livingston Co., KY by his attorney in fact **John Caldwell** of first part and **Benjamin Gibbs**, Wash. Co. other part for \$100 - 1000 acres in Wash. Co. on div. ridge of Hardins Creek and Rolling Fork.

Wit: **William P. Gibbs**, **Betsey x Smith**,
Jonathan x Raley, **James x Miller**
Charles x Green, **Thomas Gist**,
David Caldwell, **Jeremiah Walker**

Jno. Caldwell for
John Davidson

for: Rose Graves
from: Gerald T.

FORM V 8 1-500M 2-29-13

Commonwealth of Kentucky
STATE BOARD OF HEALTH
BUREAU OF VITAL STATISTICS
CERTIFICATE OF DEATH

21073

1 PLACE OF DEATH

County Mason

Vol. Pot. #4 Registration District No. 2387

Ino. Town Shively Primary Registration District No. 2387

City Shively (No. 1 St., 1 Ward)

2 FULL NAME Charles Clements

File No.

Registered No.

[If death occurred in a hospital or institution, give (its NAME instead of street and number.)

PERSONAL AND STATISTICAL PARTICULARS

3 SEX Male 4 COLOR OR RACE Black 5 SINGLE, MARRIED, WIDOWED, OR DIVORCED Single
(Write the word)

6 DATE OF BIRTH Don't know
(Month) (Day) (Year)

7 AGE 9 yrs. 0 mos. 0 ds. IF LESS than 1 day ... hrs. or ... min.?

8 OCCUPATION (a) Trade, profession, or particular kind of work. (b) General nature of industry business or establishment in which employed (or employer) Child

9 BIRTHPLACE (State or country) Ky

PARENTS
10 NAME OF FATHER W. Clements
11 BIRTHPLACE OF FATHER (State or country) Ky
12 MAIDEN NAME OF MOTHER Mary Maggie Spalding
13 BIRTHPLACE OF MOTHER (State or country) Ky

14 THE ABOVE IS TRUE TO THE BEST OF MY KNOWLEDGE
(Informant) Ben Spalding
(Address) St. Mary's, Ky

15 Filed Aug. 31, 1920 W. A. Logsdon
REGISTRAR

MEDICAL CERTIFICATE OF DEATH

16 DATE OF DEATH July 20, 1920
(Month) (Day) (Year)

17 I HEREBY CERTIFY, That I attended deceased from 1919, to 1920, that I last saw him alive on 1919, and that death occurred on the date stated above at 11 m. The CAUSE OF DEATH was as follows:

By being run over by train
(Duration) 0 yrs. 0 mos. 0 ds.

Contributory (SECONDARY) None
Signed J. R. McElroy
7/21, 1920 (Address) Retama, Ky

18 LENGTH OF RESIDENCE (FOR HOSPITALS, INSTITUTIONS, TRAN- SIENTS OR RECENT RESIDENTS) At place of death 0 yrs. 0 mos. 0 ds. In the State 0 yrs. 0 mos. 0 ds. Where was disease contracted, if not at place of death? None
Former or usual residence None

19 PLACE OF BURIAL OR REMOVAL St. Charles Cemetery DATE OF BURIAL 7/21, 1920
UNDERTAKER Family ADDRESS St. Mary's, Ky

MARGIN RESERVED FOR BINDING
WRITE PLAIN WITH UNFADING INK--THIS IS A PER- MENT RECORD

N. B.—Every item of information should be carefully supplied. AGE should be stated EXACTLY. PHYSICIANS should state CAUSE OF DEATH in plain terms, so that it may be properly classified. Exact statement of OCCUPATION is very important. See instructions on back of certificate.

W. A. Logsdon
REGISTRAR

QUERIES

1211 HARROD, HILLIS: Wanted desperately! Place of and date of marriage of Jemima Harrod, daughter of James and Elizabeth Stewart Harrod, born March 13, 1782 and Jefferson (David?) Hillis. Issue: Jefferson David Hillis born 1810.

Mrs. Ruth Hillis Shockley, 476 Adrian Place, Macon, Georgia 31204.

1212 MILLER, FROGGE: Want parents and family of Lucretia Miller who married John Frogge in Virginia, moved to Cumberland Co., Ky., ca. 1800. Had 8 children who married into the Williams, Smith, Farley and Spearman families. Probably she was related to Pierson Miller who married Nancy Huff, 1797.

Mrs. H. F. Farmer, 6819 Hannon St., Bell Gardens, California 90201.

1213 PRATHER/PRATER: Wish names of parents and birth dates of children of James and Elinor Prather of Bourbon Co., Ky. Maybe James Prather, Sr. in 1810 Bourbon County Census, listed (one male 45 and over, one female 26 - 45). Also deed to property dated Oct 13, 1831 to children and wife. Children were: Jeremiah m. Sarah Murphy; Jonathan m. Sarah Moseley; Mary Ann m. Obediah Martin; Isaac m. Maria Prather; John; Jacob; Joseph; Henry; James Jr; and Nancy.

Viola M. Olson, 13500 St. Andrews Dr., 7D, Seal Beach, California 90740.

1214 GORHAM, GRAVES, GUINN, DEATON: Desire information on George Gorham, b. 9-13-1786 in Va., d. 8-18-1849 Fayette Co., Ky., m. Nancy Graves, b. 9-13-1786, d. 4-19-1878 Fayette Co., Ky. Isaac Deaton, b. 1-8-1825 in Ky., d. 5-9-1868 Breathitt Co., Ky., m. Sarah Guinn, b. 8-22-1821, d. 11-28-1909 Breathitt Co., Ky. Want ancestors and descendants on both families. Would like to correspond with anyone working on these families.

Omega N. Griffing, 1760 Liberty Road, Lexington, Kentucky 40505.

1215 SCHOOLING: Joseph Schooling, b. 1782, Va., married Mary Frain, 1807 Ky. Lived Bullitt Co., Ky., 1812. Died 1850 Mo. Have names, birthdates and some marriage and death records of all his children. Also have some records on another Joseph Schooling, b. 1766 Culpeper Co., Va., married Susannah Fisher. In Washington Co., Ky., 1800. Also James Schooling b. 1757, Va., married Mary ?, 1784. In Washington Co., Kentucky, 1797. Served in Revolutionary War. Will exchange information. Mrs. A. R. Fields, Rt. 1, Box 128, Vale, Oregon 97918.

1216 BELL: Wanted: Identity of Eliza Ann Bell Barker and first husband. Married Thomas Barker of Union County, Kentucky in 1837. Children of first marriage were James W. Bell, Charles F. Bell, b. 1830, and Isabella Bell (Mrs. Soloman Neal).

Mrs. Charles L. Deevers, Box 52, Clinton, Mississippi 39056.

1217 McPHERSON, LEVENGOOD: Elizabeth McPherson married 1857 Peter Levengood, Falmouth, Pendleton County, Kentucky. Related names from 1795-1900: Waters, Cooper, Barton, Martain, Ellis, Earls, McGill, Hook, Day, Yelton, Turner, Orr, Dougherty, Shoemaker, Shaw, McCormack, Forman, Lancaster, McCandless, Feedback, Waggoner, Mullins, Fryman. Nicholas, Bourbon, Harrison, Pendleton, Mason, Bracken and surrounding counties. Exchange. Mrs. Albert McMahan, P. O. Box 854, Twin Falls, Idaho 83301.

QUERIES

4011 GEORGE: James George b. 1765-1784; d. 1820-1830, Garrard Co., Ky.; m. Elizabeth Robertson Letcher, Mercer Co., Ky., 1799. Could he have been the son of James George (d. 1805, Goochland Co., Va.) and Mary Swift? Susan H. George, daughter of James and Elizabeth Robertson George, was b. 1817-1819; m. James D. George, Garrard Co., Oct. 17, 1833. He was b. Sept. 6, 1806; d. Aug., 1844, Fulton, Callaway Co., Mo. Seek his relationship to Robert George of Knox Co., Ky., and to the Georges of Goochland Co., Va. Philip Cotterill, 714 S. Locust, Oxford, Ohio 45056.

4012 BILLS, COCKRILL, VEAL: Does anyone know of Jemima, Frances, Nancy, and Shelton Cockrill in Fayette and Madison Cos.? Jemima m. James Veal 1820, had son James Lewis Mar. 18, 1822, moved to Howard Co., Mo., 1826. Will filed Chariton Co., Mo. 1861. Frances m. Sampson Veal 1818, Sureties Nancy and Shelton; listed on early Chariton Co. census w. large family. Also John and Mary ___ Bills. John b. England 1807, came young to America w. father -- where? Mary b. Ky. according to early Chariton Co., Mo. census. Mrs. Wayne Crigler, 710 W. Fifth St., Cle Elum, Wa., 98922.

4013 BAILEY, BRADY, MCINTIRE/MCENTIRE/MCINTYRE: Need parentage of John McIntire, b. 1789, Pa.; d. 1862, Mercer Co., Ky.; m. 7-12-1814 to Rebecca Hale, Mercer Co., Ky., and had nine children - one Jourdan Hale McIntire (1821-1900) m. 11-11-1845 to Margaret Bailey. Both born, died and married Mercer Co., Ky. She was dau. of James Bailey of Mercer Co., Ky. (b. ca 1800) and Matilda Graves of Washington Co., Ky., m. there 10-20-1823. James Bailey's mother was Rebecca ? who first m. ? Brady and had 3 sons, Thomas A., Wm. Anderson and Stephen A. Brady. Who was James Bailey's father? Rebecca's maiden name? Mrs. E. Donald Dietrich, 4616 Guilford Rd., College Park, Maryland 20740.

4014 DOYLE (Dyal, Dyle, Doyal): John, Capt. rangers under Gen. Clark, Rev. War. Born near Winchester, Va., 1762. Father, Edward, died Ky. 1833, age 98, moved Bullskin twshp, Fayette Co., Pa. previous Rev. Desire name John's mother, and Edw. father's name. Also grandson John, unheard of after wreck steamboat STATES near Madison, Ind. 1868. I've just found newspaper ed. listing him as survivor. John A. Doyle, 8222 Camargo Rd., Cincinnati, Ohio 45243.

4015 FRIEND: Need data on Jacob and wife, Susan Smith, possibly from W. Va. or Maryland. Jefferson Co., Ky. in 1800. Paid taxes 1808-10 in Shelby Co., Ky. Over 45 yrs. old in 1810. Children: Jacob (Greenup Co. 1810 ?), Joseph, Abraham, James Isaac (b. 1810 Shelby Co.), Sarah (Wellbaum), Barbara (Arnold), Mary (Martin b. 1804, Ky), Hester, Catherine, Margaret, Jean, Elizabeth and Susan. Daughters married Montgomery Co., O. Mrs. Geo. T. Edson, 16550 Vaughan Avenue, Detroit, Michigan 48219.

4016 DAVIS, HYATT: Information please! Benjamin Merritt Hyatt b. ca. 1810; Narcissa Dennison Hyatt Wallace b. ca. 1830, m. ? Hyatt, Hart Co., Ky. 1843, m. 2. Hiram Wallace, Cass Co., Ia. 1868 (Hiram b. Pa. 1843); Jane Wood Davis b. 1794 Ky., m. Phanuel Davis 1807 Ky.; Phanuel Davis b. Va. 1786 (prob. Wythe Co.) son of Haggerstown, Md. tailor served Rev. Nancy McCabe Davis, b. Pa. 1825, m Phanuel Davis, b. 1826 Jennings Co., Ind. Sarah Percy Davis, b. Ind. 1826, m Phanuel Davis 1846 Ind. Any Hyatt, Merritt or Phanuel? Wm. Falleaf, 411 Hill St., Lebanon, Tenn. 37087.

QUERIES

4389 ALLEN, PATTON: George J. Allen, Sr.: Need to know in which state George J. Allen, Sr. was born? He came to Floyd Co., Ky. along with his father Sam, mother Sarah, brothers William, Sam and sister Elizabeth ca 1797. About 1800 George married Cynthia Patton. Children: William, David, Sam, John, Felix, George J., Jr. and Archable; married names of daughters, Sally May, Elizabeth Walker, Florence Berry, Mary Jane Whitt and Synthia Begley. Any pertinent information will be appreciated. Clyde P. Allen, Box 517, Martin, Kentucky 41649.

4390 BLACKETER, STEWART: Seeking date of death and where buried of my G.Grandparents, Vincent Lockman Blacketer m. Lucinda Stewart 1832, Mercer Co., Ky. 8 children: Burrell, James, Rachel, Addison, David, George, Stewart and William. Need information about Burrell, b. 1833, m. __?, d __?, James b. 1835, m. 1859 to Rhoda Durham, Boyle Co., Ky., d. __? Omar E. Blacketer, 7912 3rd St. Rd., Louisville, Kentucky 40214.

4391 BULLOCK, NEAL, O'NEAL: I need parents, sibilings, children of John Curtis Bullock, b. ca. 1797 in Pa. or Md., married in Boone County, Ky. 25 Nov. 1818 Mary O'Neal (Polly Neel) a native of Boone Co. Was the John H. Bullock from Shelby Co. who sold 100 acres of land in Boone Co.* and his wife Eliza, parents of John C.? Any help will be appreciated. Ineva Cudd Bowen, Box 843, Wellington, Texas 79095. (*in 1810)

4392 BUTLER: Michael and Winifred Butler arrived in Louisville, Ky. from Ireland in 1833. Was a farmer; had six children. The eldest, James, said to have been born in Louisville married Mary Ryan there; had ten children. Believed to have moved to Iowa near Parnell about 1844. Any one having knowledge of this family, please communicate with me. Mrs. Marion Favre, 3805 French Ave., Sacramento, California 95821.

4393 GRAVES: Need parents, ancestry of Joseph Graves of Spotsylvania Co., Va., died May 12, 1785; wife Frances (Coleman) Graves, b. 1744, d. 1844; left their home called "The Red House" in Spotsylvania Co. about 1800 and came to Fayette Co., Ky. settling near Chilesburg. Ch. Nancy m. James Goodwin; John C. m. Elizabeth Parrish; Joseph m. Mary Goodwin; Benjamin, died War of 1812; Sally m. Wm. Chinn; Polly m. Jos. Chinn; Eunice; George m. Mary Blades; Hawes m. Eunice Blaydes; Coleman, died War of 1812. Mrs. Wilford H. Graves, Jr., 322 Humingbird Lane, Lexington, Ky. 40503.

4394 BROWN, SANDUSKY, SLA(Y)TON: Need information on the parents, brothers and sisters of Thomas Brown and Susan Slaton, who married 25 May 1858 in Barren Co., Ky. Also would like to correspond with any Sandusky descended from them. Fern Brown Hunter, 916 20th Ave., Clarkston, Wash. 99403.

4395 PITCHER: Wanted proof of birth of William D. Pitcher to Thomas and Polly Douglass Pitcher who married 5-8-1803 in Madison Co., Ky. It is thought Polly was cousin to Willie Douglass there. Line moved to Boone Co. where William Pitcher married 6-24-1830 Sarah Lancaster, as shown on p. 78 KY. ANCESTORS of Oct. 1972. A Katie Douglass (Donovan), related. Polly, dau. of Wm. of Tenn.? Mrs. W. H. Morse, 1350 Bethany Home Road, Phoenix, Arizona 85014.

QUERIES

8870 HAMILTON / HAMBLETON: Thomas Hamilton, b. 1760-70, in 1820 & 1830 Census for Campbell Co., KY. He and John Morgan signed marriage bond for Harriet [Hannah] Hamilton, b. 1801 m. 23 Feb. 1818, Zedekiah Morgan, also for Elizabeth Hamilton, b. 1807, m. 4 Apr. 1823, Samuel Morgan. Other children Margaret, m. I. Mitchell, James P. Hamilton, m. 21 Feb. 1831, Margaret Humphries. Do you know about this family's ancestors or descendants? Mrs. Clara Leible, Rt. 1 Box 1106, Napoleon, MO 64074.

8871 HO(A)GLAN(D): Desire any information of the name Hogland who in 1783 were in Jefferson Co., KY (now Bullitt Co.). Moses Hoglan's father, from the Saltworks, was murdered by Indians and Moses, age 12, was taken prisoner. Lived on Salt River, Pitts Point, Brooks Station, near Shepherdsville, KY. Mrs. Wm. Lightenberg, 658 N. Clinton St., Orange, CA 92667.

8872 HALL, KELL(E)Y, PEDIGO: Need parents and birthplace of John Kelly/Kelley, Jr., b. ca 1817 and Elizabeth Hall (or Miller), b. ca 1819, both in KY., m. 11 April 1837 in Franklin Co., IL. Migrated to Martinsville, Clark Co., Illinois by 1843. Gr-grandmother was Ann Jane (Kelly) Welsh. Need parents of George Walter Pedigo, b. 17 July 1861 and Samuel Pedigo/Pedago, b. ca 1864 in Louisville, Jefferson Co., KY. Mother died in childbirth and Father died ca 1866. Reared by George and Amanda (Pedigo) Bishop in Hart Co., KY. in 1870. W. Howard & Mary E. Mann, 2737 La Palma Drive, Modesto, CA 95354.

8873 LAWSON, MAGRUDER: Seek information on Huston Lawson who married on 15 Dec. 1839, in Bullitt Co., KY., Elizabeth Magruder, dau. of Ezekiel. Where did they live and did they have any children? S. R. Masden, 1220 Knoxville Avenue, Lebanon Junction, Kentucky 40150.

8874 BELLAR / BELLER, PATRICK: I would like information about a Bellar / Beller family of Warren County, KY. Madelene Bellar married John Patrick. Mrs. Eugene Mayne, R. R. 1, El Paso, Illinois 61738.

8875 BRUMLEY, CUNNINGHAM, FID(D)LER: Need information on these families of Spencer and/or Bullitt County, Kentucky: Benjamin Hughes Brumley, b. 1851, Spencer, d. 1925, married on 4-10-1877, in Bullitt Co., KY., to Laura A. Cunningham, b. 1849, d. 1928 or '29. Their children: Jess, b. 11-7-1881, Loulie, b. 5-13-1883, and John, b. 8-16-1879, d. 6-25-1959, in Nelson Co., who married Evalena Myrtle Fiddler, (b. 10-8-1878. d. 9-26-1953, in Nelson Co.) in Spencer County and moved to Nelson County in 1902. Laura Cunningham, I am told, was a descendant of the Lux family and had ancestors in the LaMaster family. Douglas McCubbin, Box 205, Bloomfield, KY 40008.

8876 FENWICK, GRAVES, HAYDEN, MATTINGLY: Desire to communicate with anyone having information on the Mattingly family, and others mentioned, starting with Charles M. from St. Mary's Co., Md. & his alleged descendants. Leonard, 1737-1827, m. Polly Hayden, and their son, John M., 1762-1811, m. Mary "Polly" Fenwick, (both of whom migrated to Kentucky around 1785), John's son Benjamin, 1792-1854, m. Susan Mary Graves, their son George, m. Susan Woodring, (Hardin Co.) and their son Richard, m. Mary Ellen French. Anyone having information on this family please contact Charles R. Moore 303 Farm Lane, Charlottesville, Virginia 22901.

QUERIES

12,898. FORSYTHE, PEARCE, GRAVES

Seek the lineage of Joseph Forsythe who paid taxes on Beach Fork, Washington Co., Kentucky, in 1827. On 26 Sept. 1825, he married Jane Pearce (born 18 June 1804, in Washington Co., Ky.), daughter of Adam Pearce and Ony Graves. Adam Pearce's parents were Thomas Pierce and Lydia (Pleasant Run, Washington Co., Ky.); Ony's parents were William Graves and Nancy Buckler.

Betty Prescott, P. O. Box 4296, Camp Connell, CA 95223

12,899. LITTLEPAGE, HARRISON, HIGHTOWER, SAUNDERS

Would like to correspond with any descendants/relatives of: John Littlepage of Hopkins Co., Kentucky; Zepheniah Harrison of Muhlenberg Co., Ky.; Abijah Hightower of Todd Co., Ky.; and Ezekial Saunders of Todd Co., Ky. I have a lot of information to share.

Joyce D. Ubl, 17709 Park Mill Dr., Rockville, MD 20855

12,900. SWIM/SWEYN/SVEND/SVEM/SVIN/SWIEN/SIVIM/SCHWIMMER

Seek family connections to name "Swim." From what country did they come? I have "Swim" name spelling back to Revolutionary War. In 1762, Adam and John Swim were in Rowan Co., North Carolina; 1772-82, Butler and John Swim were in Berkeley and Hampshire cos., Virginia; 1785-89, Isaac and John Swim were in Somerset Co., New Jersey; in 1790, a Cornelius Swim was in Ulster and Orange cos., New York.

M. C. "Sinker" Swim, 413 N. Gill, Monticello, IA 52310

12,901. McFARLAND, HAGOOD/HAYGOOD, PAYNE, PEDEN, GARVIN, THOMPSON, WEST

Wish to exchange information on the following: Elijah (Elisha) Ha(y)good married Margaret A. "Peggy" McFarland, 22 July 1817; Robert Hagood married Harriet Payne (d/o Charles T.), 10 Dec. 1817; Buckner Hagood married Elizabeth Peden, 25 Nov. 1819; William Hagood married Sally R. Garvin, 11 Aug. 1813; Andrew M. McFarland married Nancy B. Hagood (d/o Elisha), 17 Feb. 1819; John McFarland married Polly Thompson, 20 Sept. 1814; Robert McFarland married Sally West, 18 May 1809. These marriages occurred in Christian Co., Ky.

Carol Ann Moore, 1807 25th Ave., Greeley, CO 80631-4911

10-23-94

Dear Mrs Reithel,

Friday (10-21-94). I spent in Washington Co at the library & courthouse. The library address is

Washington County Library
East Main Street
Springfield, Ky., 40069

Your previous requests were in the Family Files at the clerk's office. Gerald is an excellent researcher I'm on rank amateur compared to him.

I hope what I have found will not be duplicate information.

Marion County was established in 1834. In 1863 John Hurt Morgan attacked Lebanon. The files and records in the clerk's office were burned. Twenty-nine years of deeds, wills, marriages & court cases were lost.

Saturday, I spent the morning in Marion Co. Courthouse - Records begin in 1863 - No wills or marriages for any Atkins and no John, George N. or William Graves wills or marriages.

The Thomas Meeting House was located in the west-central part of the Marion Co. Around the mid 1800 people stopped burying there. Another

Methodist Church - Smock's Chapel has been established further west. I checked their records no Graves or Askins are buried there. Smock's Chapel disbanded @ 1960.

In the eastern part of Marion Co is the Pleasant Run Methodist Church & Cemetery. The two churches at least 15 miles apart. This Church, too, has disbanded. However buried there are:

David Askrens dcd 2-7-1864
age 36 7 months 14 days

Susan E. Dant Askrens 6-28-1856 11-30-186?

David & Catherine Askrens No dates

The most interesting thing to me is the "Dant". Majority of Dants at that time in Marion Co were in the western part of the county near the Nelson County line - Dant's Station was a rail stop.

Eleanor Graves who married Ed. Askins Jr Aug 1, 1803 was married by Stephen Theo Bodin, a Catholic Priest. I checked most but not all yet Catholic Cemetery records. - Have not checked Baptismal or Marriage Records yet.

However:

George Graves who married Nancy Buckler on 10-1-1808 was married by a Methodist minister.

No Graves of Askrens
or George N. John or
Wm. found yet.

George Graves m. Catherine Medley 2-7-1810
Catholic Priest

John Graves m. Mary Ann Montgomery 2-12-1820
Catholic Priest

I include this information hoping this (Religion) will help you sort out the families. Most all the Catholic families in this area at that time came from St. Mary's County Maryland.

There were family sheets completed by
Lillian M. Hiatt
2375 S. San Miguel Drive
Grand Junction, Colorado 81503

According to her sheets:

John Wm Graves @ 1760 Native of Md
wife Sarah "Susan" Catherine Noble
son Wm Graves @ 1786 m. Nancy Buckler

Enclosed are pages copied from "Ancestors & Descendants of Garrett Peterson & Nancy Smock," Chapter 28 pages 370 - 372.

Nancy Buckler's father was known to Edward Askins - The question is was he (Robert) a brother-in-law ~~brother-in-law~~ to Edward.

In the Washington Co Deed Book D pages 39-40-41 was information on Eleanor & George N. - See copies enclosed

I've also included an abstract of Robert Buckler's will mentioning Wm. Graves.

I assume you are referring to the genealogy sketches found in the Washington Co Bicentennial Book, when you indicated the possibility of Eleanor being the daughter of Wm Graves of Va. However with the information re: Nancy Buckle who married Wm Graves and the connections George N. I'd be tempted ^{to} elopse information on Wm Graves from Maryland.

Here are addresses of other researching Graves:

John A. Askrens

~~6618 9th St~~

~~Indianapolis, Indiana~~

Yvonne S. Warner

~~133 Melvin St~~

~~Cherry, Virginia 22920~~

Rebbie Fuhr

~~230 Craig~~

~~Grandland Park, Kansas 66103~~

Sincerely
Mary Ella

6 copies x .30 = 1.80

18 miles x .25 = 4.50

6.30

12-18-94

Dear Mary Ella,

Thank you so very much for the papers you sent to me on the Graves, Askins, and other families. They are a great help, and I appreciate your thoroughness.

It has been a ~~big~~ surprise to me to learn there were two Graves families, unrelated, living in Washington County, Ky., at the same time. The only one I had found was the W^m Graves from Va. But I did know that Eleanor Graves (Askins) and her brother, George N. Graves, did not fit in to the Va. Graves.

The Askins family also goes back to St. Mary's County, Md. At a very early time, they moved over into Va., and intermarried with the Waters family. Then they migrated to Pa. along with the Hardins', Staytons', Wickliffes' ^{Waters} families and others. It has been interesting to trace their migrations. Many went on to Nelson County, Ky. I am

II.

Enclosed is a check for \$25⁰⁰ as I wanted to include your time, as well as expenses for zeroing and mailing. Many thanks again for all your efforts.

Sincerely,
Louise

Best Wishes for a Happy Holiday and a Great New Year!